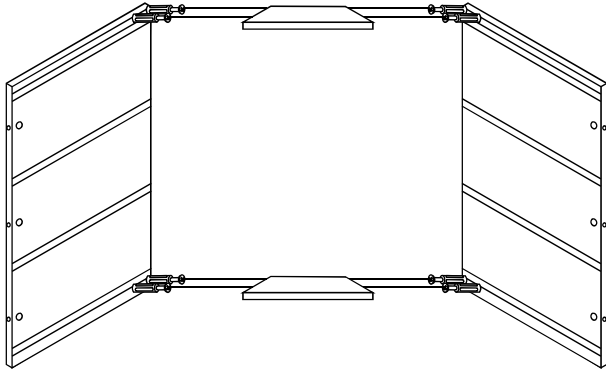


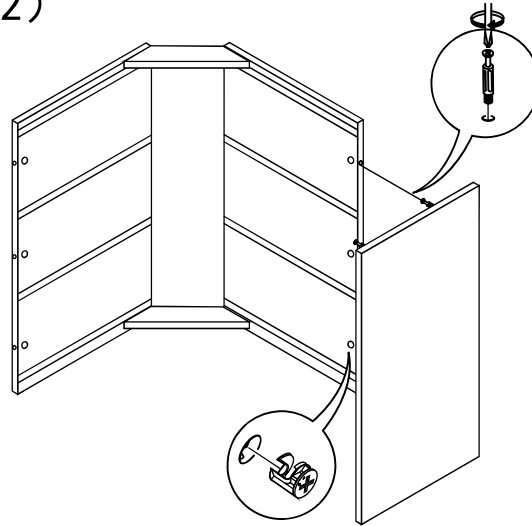
# ASSEMBLY INSTRUCTIONS

## WDC (2730) WDC (2739)

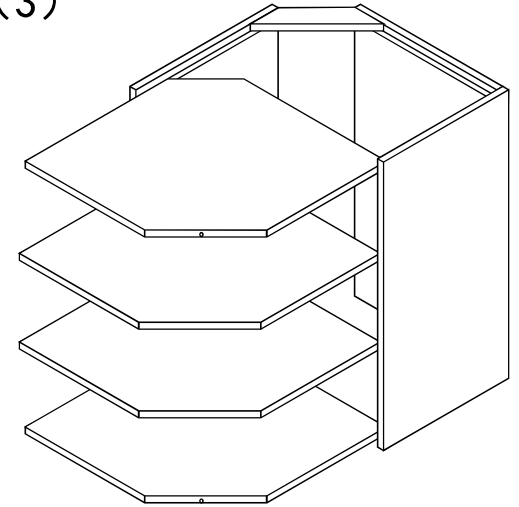
(1)



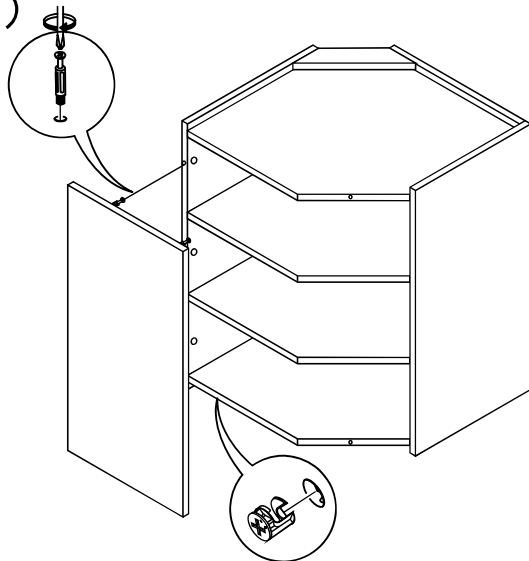
(2)



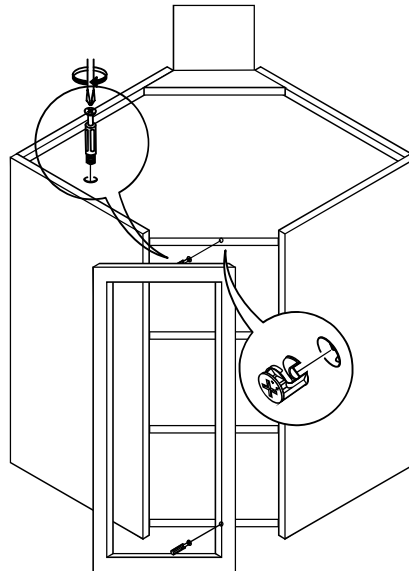
(3)



(4)



(5)



(6)

