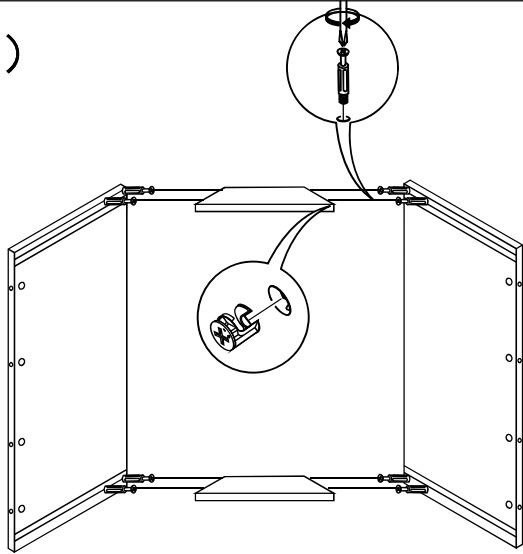


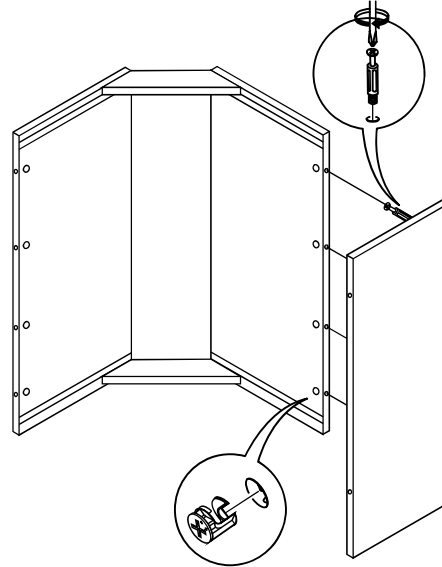
ASSEMBLY INSTRUCTIONS

WAC2730-WAC2742

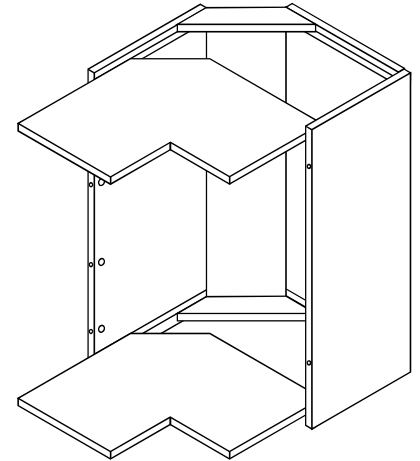
(1)



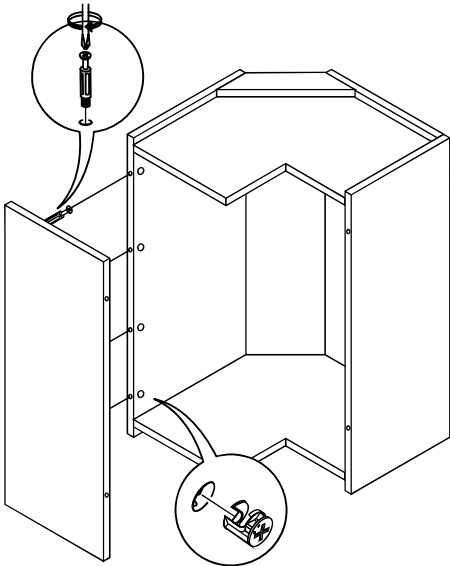
(2)



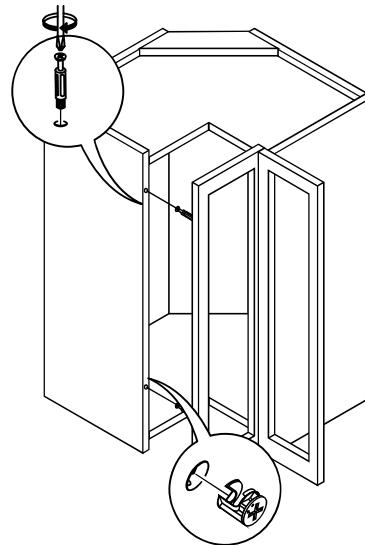
(3)



(4)



(5)



(6)

