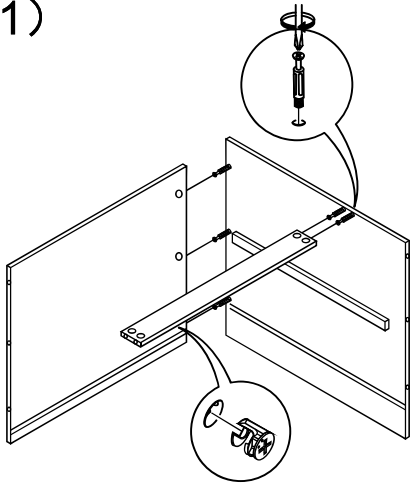


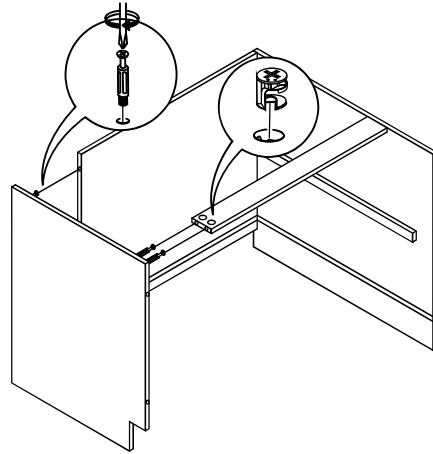
# ASSEMBLY INSTRUCTIONS

## BLS(33-36)

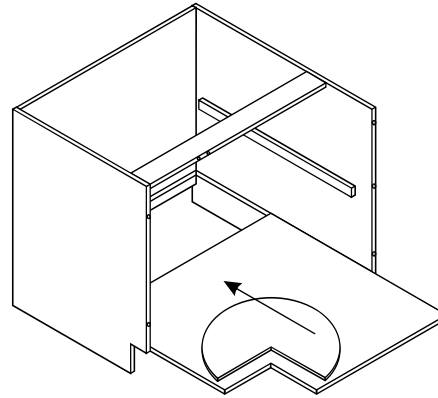
(1)



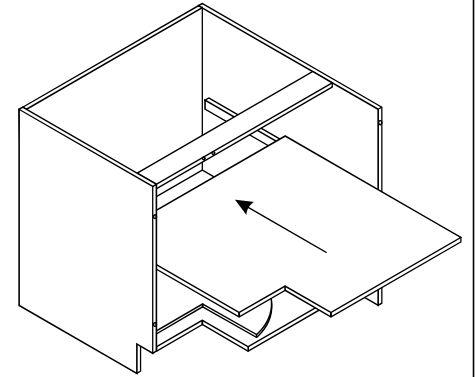
(2)



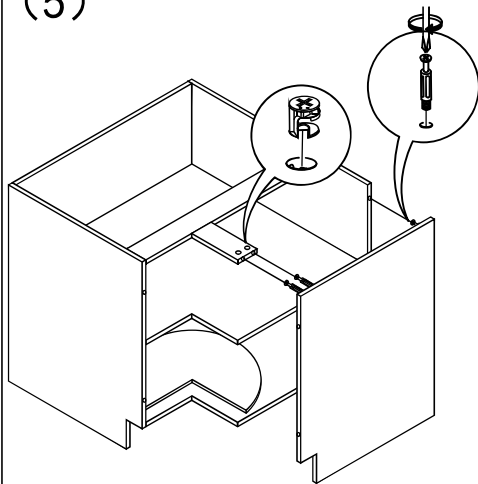
(3)



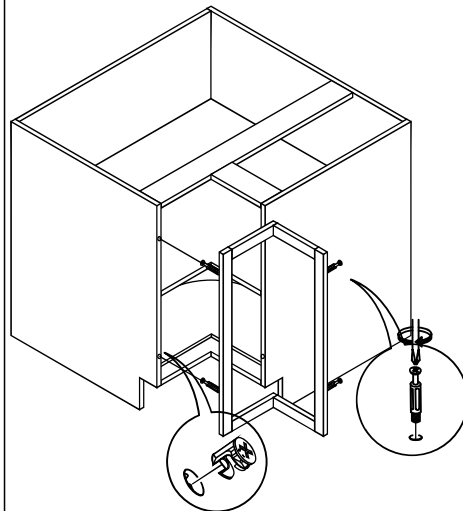
(4)



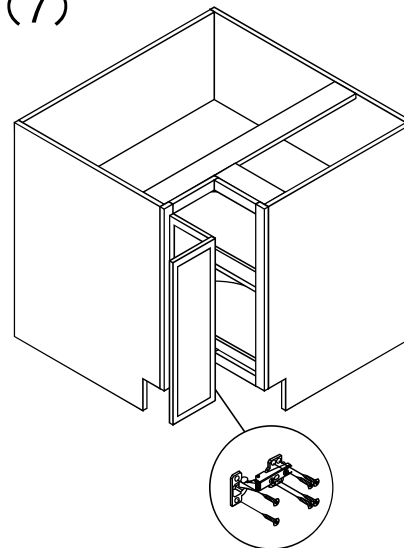
(5)



(6)



(7)



(8)

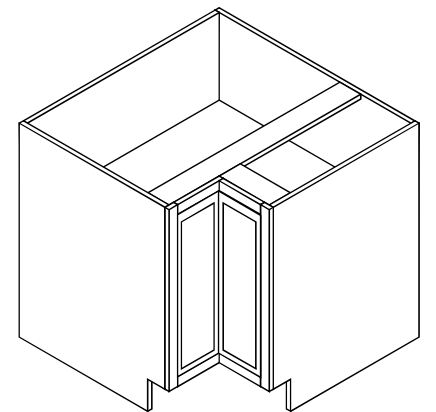


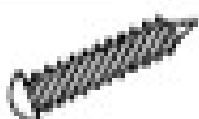
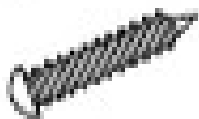
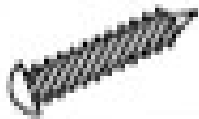


DIAGRAM	CONNECTING FITTINGS	QTY
	CAM LOCK SYSTEM	30
	CAM LOCK SYSTEM	30
	CORNER BRACES SCREWS ( $\phi 3*12\text{MM}$ )	10
	BACK PANEL SCREWS ( $\phi 3*25\text{MM}$ )	3
	HINGE SCREWS ( $\phi 4*14\text{MM}$ )	4-6